

PLEASE CHECK WWW.MOLEX.COM FOR LATEST PART INFORMATION

Part Number: [0357490110](#)
Status: **Active**
Description: Spade Tongue Terminal for 22-26 AWG (0.13~0.33mm²), Stud Size 5-6 M3-3.5, Pre Tin Plated

Documents:

[Drawing \(PDF\)](#)

[RoHS Certificate of Compliance \(PDF\)](#)

General

Product Family	Ring and Spade Terminals
Series	35749
Crimp Quality Equipment	Yes
Mil-Spec	N/A
Product Name	N/A
Type	Spade

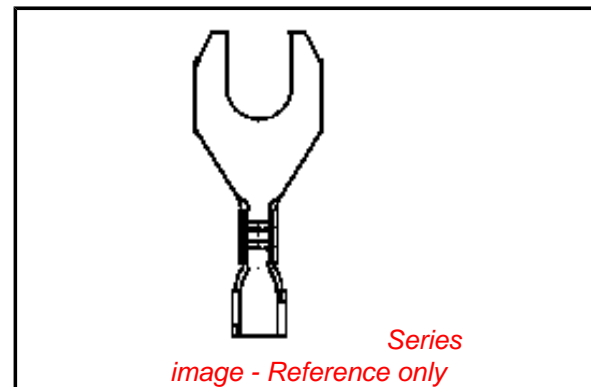
Physical

Barrel Type	Open
Insulation	None
Material - Plating Mating	Tin
Packaging Type	Reel
Stud Size	5-6 (M3-3.5)
Wire Insulation Diameter	1.60mm (.063") max.
Wire Size AWG	22, 24, 26
Wire Size mm ²	0.13 - 0.33

Material Info

Reference - Drawing Numbers

Sales Drawing	SD-35749-0110
---------------	---------------



EU RoHS

ELV and RoHS Compliant
REACH SVHC Contains SVHC: No
Halogen-Free Status

China RoHS



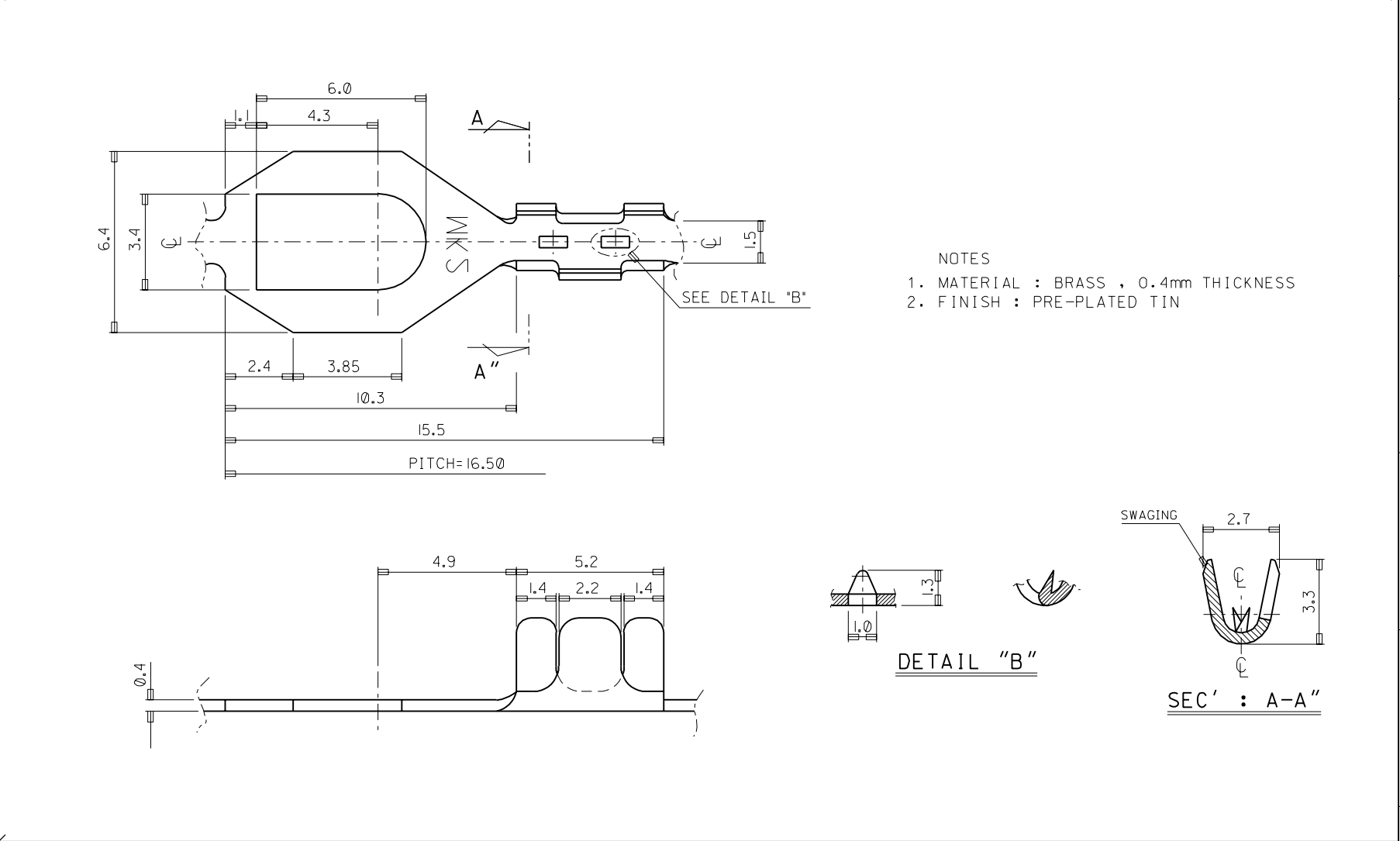
Need more information on product environmental compliance?

Email productcompliance@molex.com
 For a multiple part number RoHS Certificate of Compliance, [click here](#)

Please visit the [Contact Us](#) section for any non-product compliance questions.

Search Parts in this Series
[35749Series](#)

DO NOT SCALE DRAWING
DIMENSION IN METRIC



NOTES

1. MATERIAL : BRASS , 0.4mm THICKNESS
2. FINISH : PRE-PLATED TIN

DETAIL "B"

SEC' : A-A''

		ASS'Y PART		QTY/REEL OR PACK	SURFACE AREA	MATERIAL	SEE NOTES	WIRE RANGE	GENERAL TOLERANCES	molex MOLEX-KOREA CO.,LTD.	
		DESCRIPTION	ENG.NO.	10,000 Q'TY /REEL	// MM ²	DIMENSION CLASSIFICATION		#26-#22	DIM. : +0.30	REVISION ONLY ON CAD SYSTEM	
		//	//	DIE NO. //	LAYOUT NO. //	<input checked="" type="checkbox"/> : CRITICAL <input checked="" type="checkbox"/> : MAJOR <input type="checkbox"/> : MINOR () : REFERENCE		0.13-0.33	ANGLE : +0.20		
				WIRE CRIMP WIDTH //	INS. CRIMP WIDTH //	DRAWN BY	CHK'D BY	INSULATION RANGE	TITLE: SPADE TM'L(G/Y)		
A	CAD REDRAWING	93-020	93.7.27	DIE FEED //	APPL FEED 16.5	J.S.KANG	B.K.CHOI	Ø 1.6 MAX.	1 of 1		
LTR	REVISION RECORD	ECN	DR/CHK	DATE	WBDW //	IBDW //	APP'D BY	SCALE 8/1	ENG.NO. SD 35749-0110		REV A